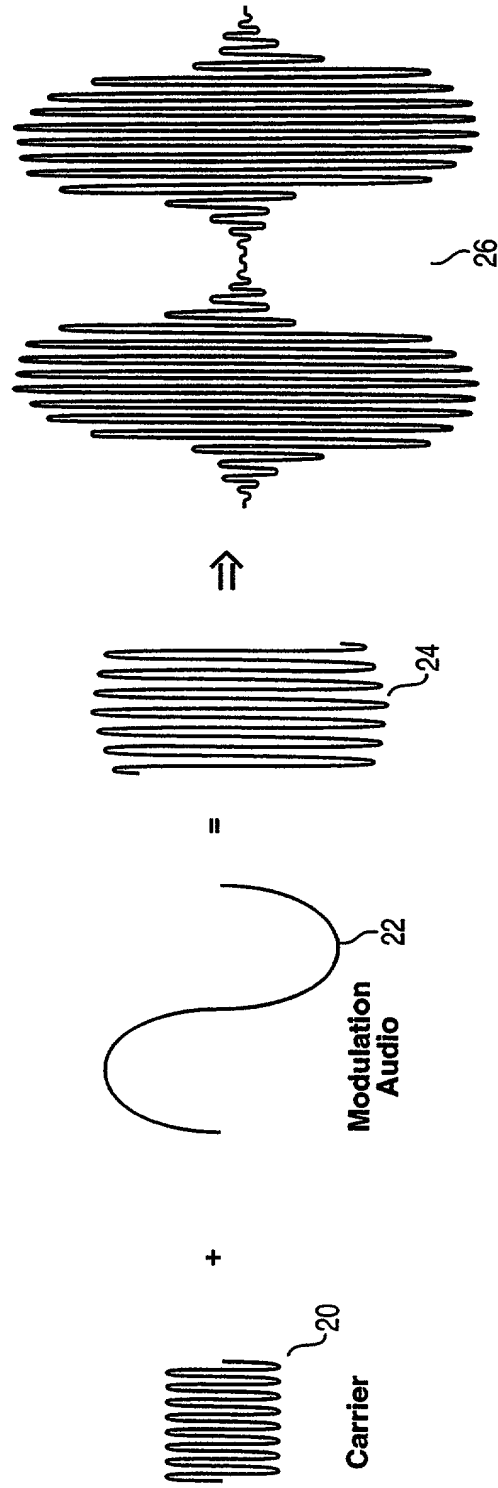


Simple Directional AM System

FIG. 1



Amplitude Modulation

FIG. 2

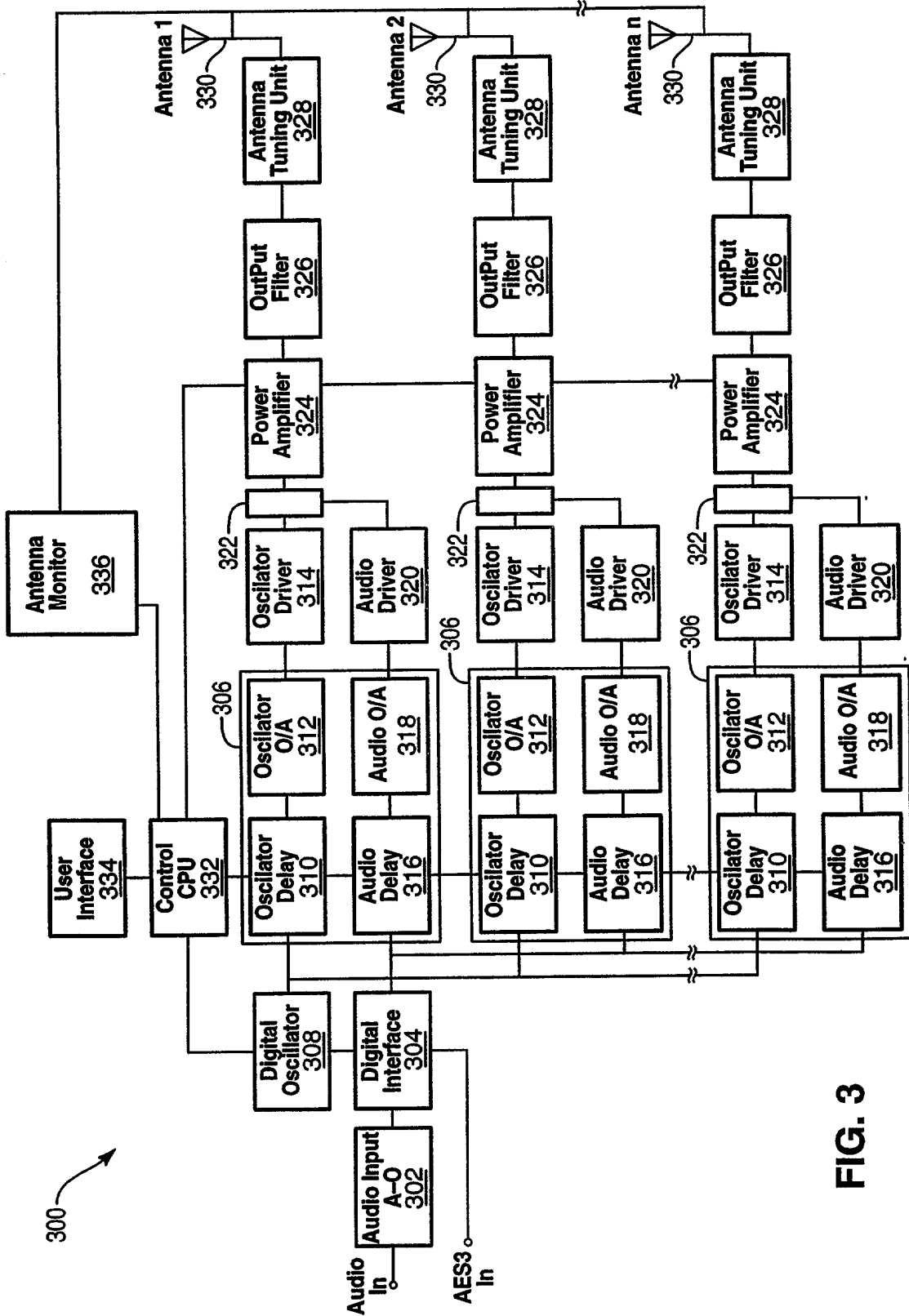


FIG. 3

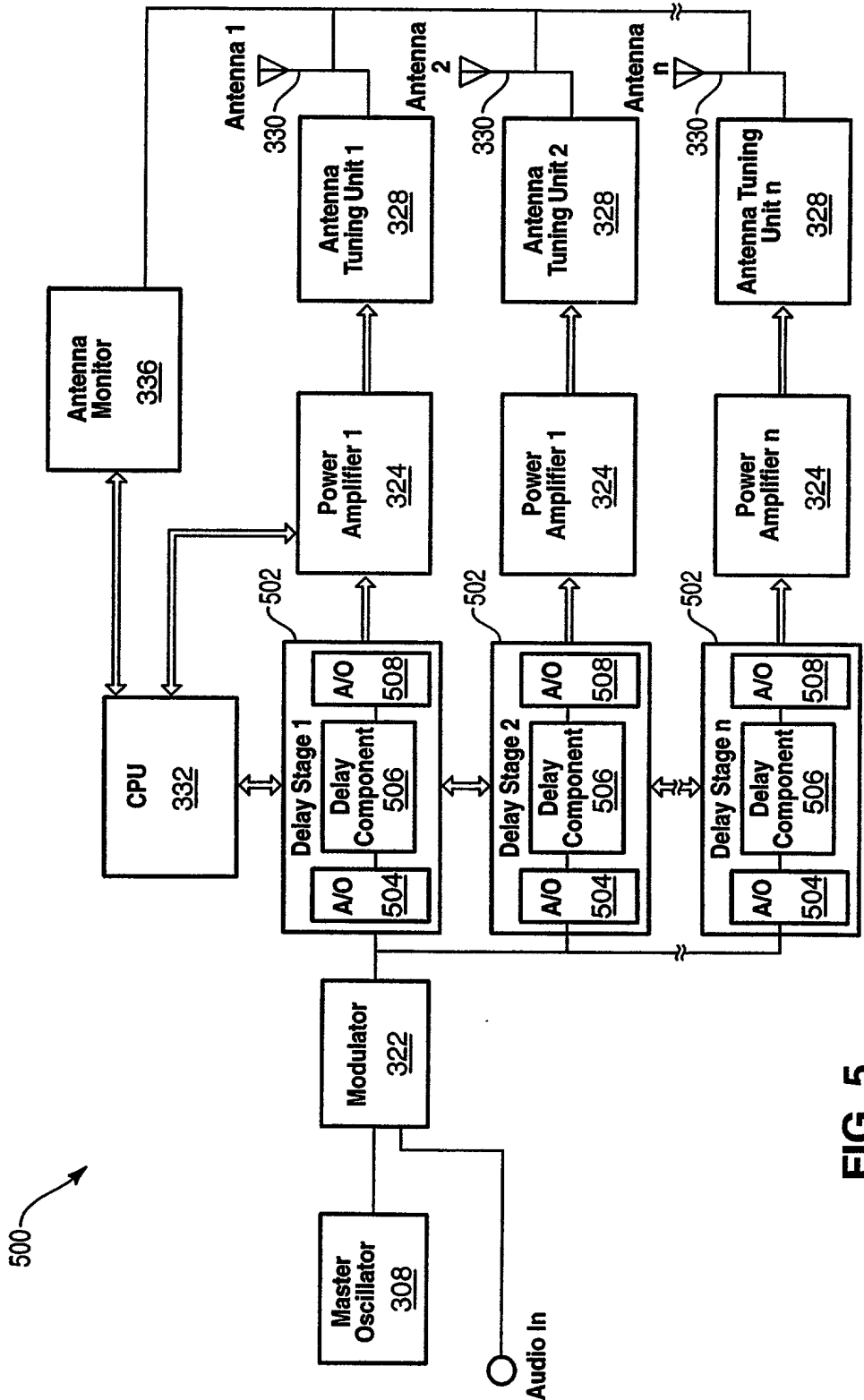


FIG. 5

700

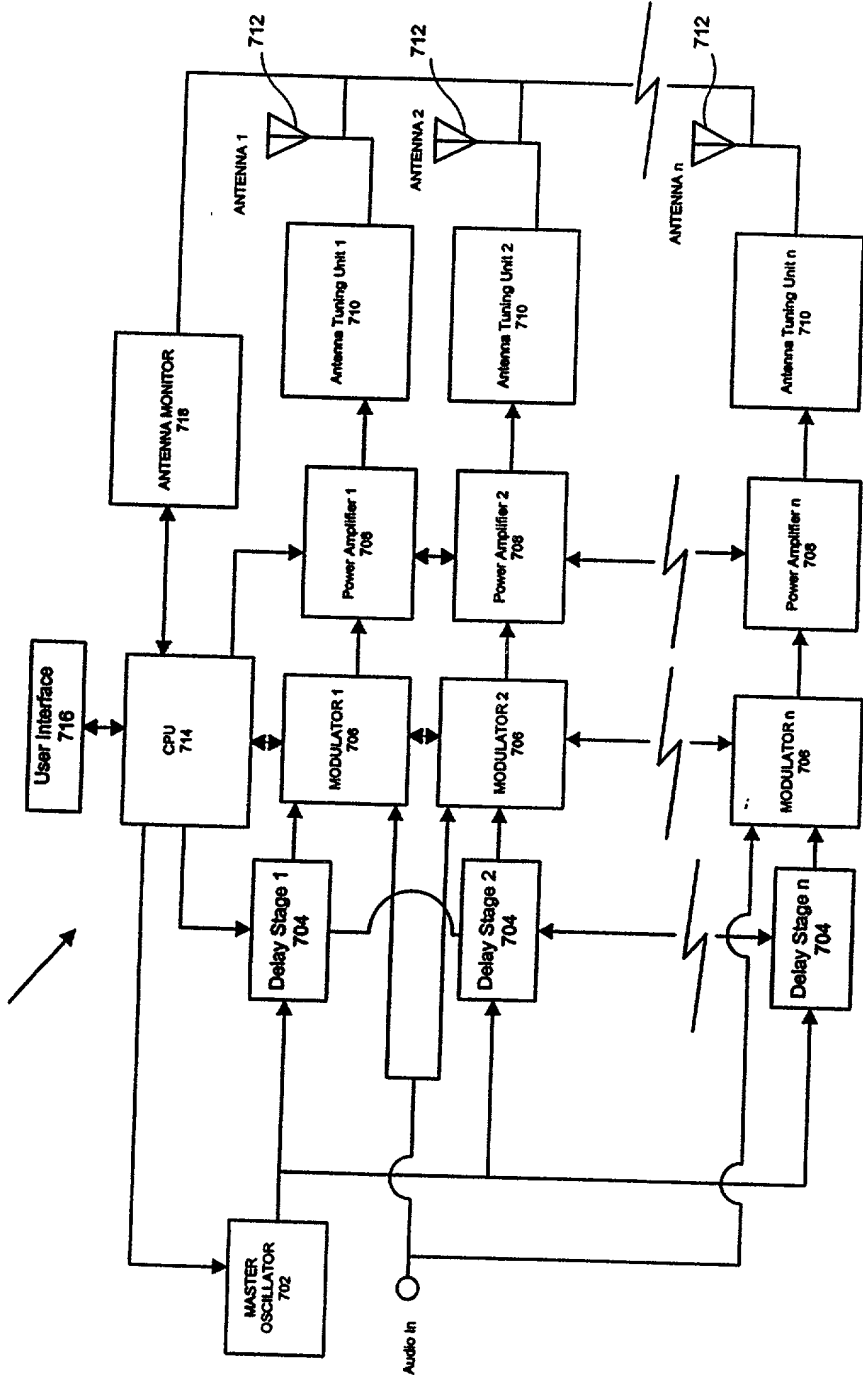


Figure 7

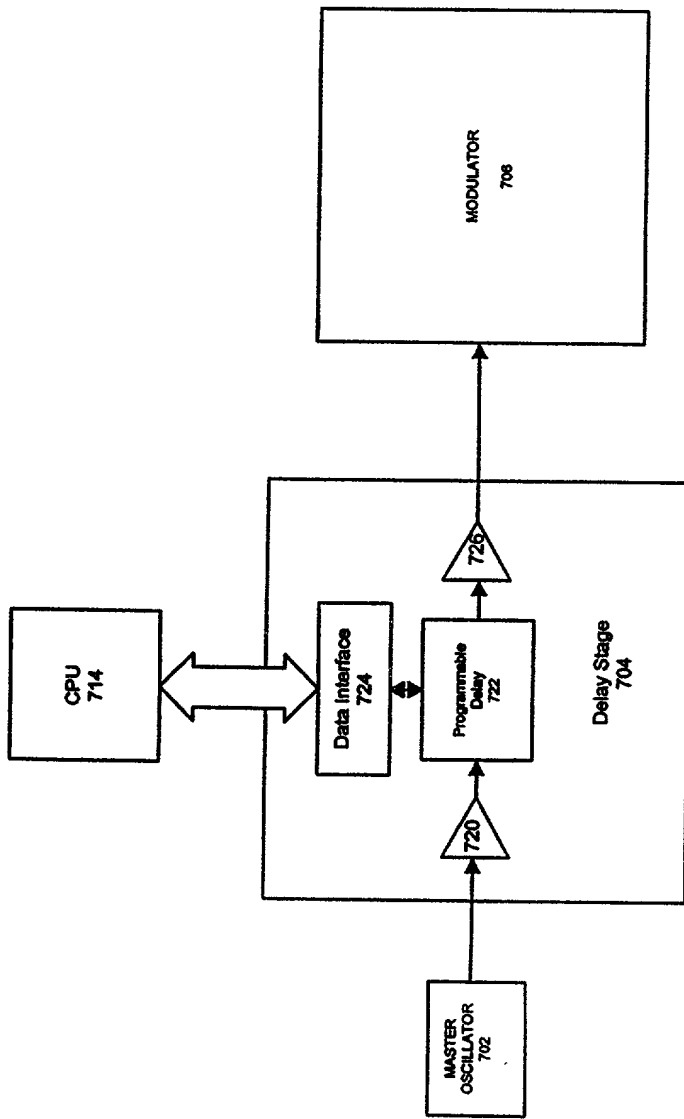


Figure 8

Figure 9

